




About Warnings


 **WARNING:** A **WARNING** indicates a potential for property damage, personal injury, or death.

Installing Dust Filter on Your Dell™ OptiPlex™ XE

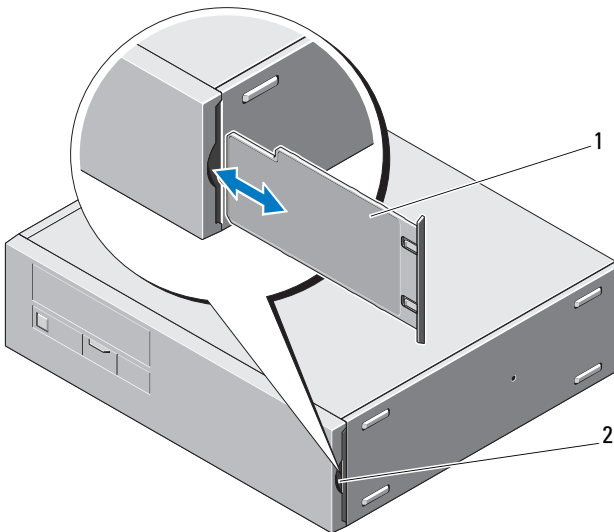
Dust filter helps reduce the dust particles from entering your computer.

 **WARNING:** Before working inside your computer, read the safety information that shipped with your computer. For additional safety best practices information, see the Regulatory Compliance Homepage at www.dell.com/regulatory_compliance.

 **NOTE:** The maximum operating temperature with the dust filter installed on a Desktop Form Factor computer is 45 °C (113 °F).

 **NOTE:** The maximum operating temperature with the dust filter installed on a Small Form Factor computer with a 2.5 inch hard drive is 45 °C (113 °F) and with a 3.5 inch hard drive is 42 °C (107.6 °F).

- 1 Slide the dust filter inside the slot located on the bottom of the computer.





1 dust filter

2 dust filter slot

Cleaning Your Dust Filter


You can clean the dust filter or replace it depending on the environment where the computer is used.

 **CAUTION:** Do not use a hard brush or any hard material to clean the dust filter.

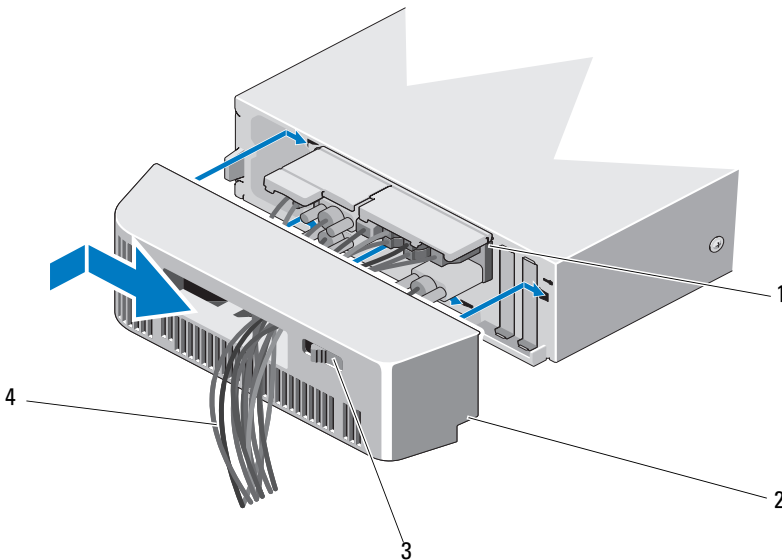
 **NOTE:** Clean the dust filter regularly using a wet towel, soft brush, or a vacuum cleaner.

Installing the Cable Cover on Your Dell OptiPlex XE

Cable cover organizes the cables connected to the computer.

 **NOTE:** The cable cover can only be installed on a Small Form Factor computer.

- 1 Connect all the cables to the AC adapter and the back panel of the computer.
- 2 Route all the cables from the computer to the opening of the cable cover.
- 3 Align the tabs of the cable cover in the holes provided on the computer.
- 4 Slide the cable cover until it clicks into place.



1 back view of the computer

2 cable cover

3 release latch

4 cables

Removing the Cable Cover

- 1 Slide the release the latch on the cable cover and slide the cable cover out of the computer.
- 2 Disconnect all the cables from the back panel of the computer.
- 3 Remove the cables from the cable cover.

Information in this document is subject to change without notice.

© 2010 Dell Inc. All rights reserved.

Reproduction of these materials in any manner whatsoever without the written permission of Dell Inc. is strictly forbidden.

Trademarks used in this text: *Dell*, the *DELL* logo, and *OptiPlex* are trademarks of Dell Inc.

Other trademarks and trade names may be used in this document to refer to either the entities claiming the marks and names or their products. Dell Inc. disclaims any proprietary interest in trademarks and trade names other than its own.

